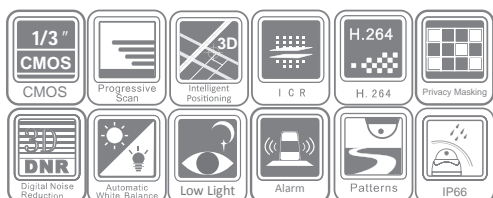


# Speed dôme intérieure IP 1,3MP, 1/3» CMOS, 720P/25ims, zoom X20

# Speed dôme extérieur IP 1,3MP, 1/3» CMOS, 720P/25ims, zoom X20

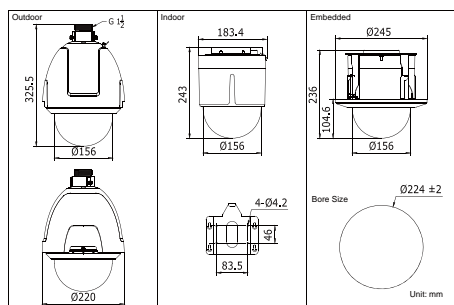
Réf. : VZ-2DF5274-A3 (intérieur) / VZ-2DF5274-A (extérieur)



## Key features

- 1/3" Progressive Scan CMOS
- 20X optical zoom, 16X digital zoom
- Smart Tracking, ROI encoding
- 3-Streams
- True Day/Night, 3D DNR
- 3D intelligent positioning

## Dimensions



Camera	
Image sensor	1/3" Progressive Scan CMOS
Effective pixel	1320K pixels
Min. illumination	Color: 0.05Lux@(F1.4, AGC ON), B/W: 0.005Lux@(F1.4, AGC ON)
White balance	Auto / Manual / ATW/Indoor/Outdoor/Daylight lamp/Sodium lamp
AGC	Auto / manual
S / N ratio	≥ 50dB
Digital Noise Reduction	3D DNR
Backlight Compensation	BLC
Shutter Speed	50Hz: 1 ~ 1/30,000s, 60Hz: 1 ~ 1/30,000s
Day & Night	IR Cut Filter
Digital Zoom	16X
Privacy Masking	Up to 24 zones, maximum 8 zones on a same image, multiple colors and mosaics optional
Focus mode	Auto / semiautomatic / manual
Lens	
Focal length	4.3 ~ 86.0 mm, 20x
Zoom speed	Approx 5s (Optical Wide-Tele)
Angle of view	54.1 ~ 3.2 degree (Wide-Tele)
Min. working distance	10 ~ 1,500mm (Wide-Tele)
Aperture range	F1.4 ~ F2.6
Pan and tilt	
Smart Tracking	Support
Pan / Tilt Range	Pan: 360° endless; Tilt: -5° ~ 90° (Auto Flip)
Pan / Tilt Speed	Pan manual speed: 0.1° ~ 300°/s, pan preset speed: 540°/s Tilt manual speed: 0.1° ~ 240°/s, tilt preset speed: 400°/s
Proportional zoom	Rotation speed can be adjusted automatically according to zoom multiples
Number of preset	256
Patrol	8 patrols, up to 32 presets per patrol
Pattern	4 patterns, with the recording time not less than 10 minutes per pattern
Power-off memory	Support
Park action	Preset / patrol / pattern / pan scan / tilt scan / random scan / frame scan / panorama scan
PTZ position display	On / off
Preset freezing	Support
Alarm	
Alarm input	7
Alarm output	2 relay outputs, alarm response actions configurable
Alarm actions	Preset, patrol, pattern, sd/sdhc card recording, relay output, notification on client
Input/output	
Video output	1.0V[p-p] / 75Ω, NTSC (or PAL) composite, BNC
Audio input	Audio input (Line input), 2 ~ 2.4V[p-p]; output impedance: 1KΩ, ±10%
Audio output	Line level, impedance: 600Ω
Network	
Ethernet	10Base-T / 100Base-TX, RJ45 connector
Max image resolution	1280 x 960
Frame rate	50Hz: 25fps (1280x960), 25fps (1280x720); 60Hz: 30fps (1280x960), 30fps (1280x720)
Image compression	H.264 / MJPEG / MPEG4
ROI encoding	Support 24 areas with adjustable levels
Audio compression	G.711u / G.711a / G.726
Protocols	IPv4, HTTP, HTTPS, 8021x, Qos, FTP, SMTP, UPnP, SNMP, DNS, DDNS, NTP, RTP, RTSP, TCP, UDP, IGMP, ICMP, DHCP, PPPoE
Simultaneous Live View	Up to 10
Streams	Three Streams
Mini SD memory card	Built-in SD/SDHC Slot, up to 32GB, support manual / alarm recording
User / host level	Up to 32 users, 3 Levels: Administrator, Camera control, Live view only
Security measures	User authentication (ID and PW), Host authentication (MAC address)
Integration	
Application programming	Open-ended API, support Onvif, PSIA and CGI
Web Browser	IE 7, IE 8, IE 9, Chrome 8+, Firefox 3.5+, Safari 5+
General	
RS-485 protocols (optional)	HIKVISION, Pelco-P, Pelco-D, self-adaptive
Power	24 VAC Outdoor dome: Max. 40W (heater: 20W); Indoor dome: Max. 20W
Working temperature	Outdoor dome: -30 °C ~ 65°C (-22°F ~ 149°F); Indoor dome: -10°C ~ 50°C (14°F ~ 122°F)
humidity	90% or less
Protection level	IP66 standard (outdoor dome) TVS 4,000V lightning protection, surge protection and voltage transient protection
Dimensions	Ø220 x 325.5mm (Ø8.66" x 12.81") (outdoor) Ø183.4 x 243mm (Ø7.22" x 9.57") (Ceiling) Ø245 x 236mm (Ø9.65" x 9.29") (In-ceiling)
Weight (approx.)	5Kg (11.02lbs)
Mount Option (for outdoor models)	Long-arm wall mount: DS-1614ZJ; Corner mount: DS-1633ZJ; Pole Mount: DS-1622ZJ; Power box mount: DS-1634ZJ



Réf. : VZ-1601ZJ



Réf. : VZ-1601ZJ-POLE



Réf. : VZ-1601ZJ-CORNER



Réf. : VZ-1614ZJ



Réf. : VZ-1662ZJ



Réf. : VZ-1634ZJ