

# Speed dôme 4" analogique intérieur, zoom x12, 650/700TVL

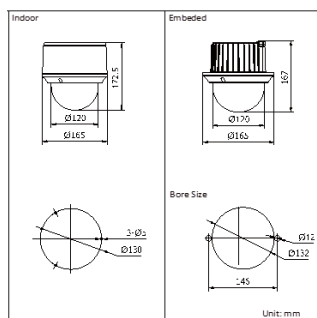
Réf. : VZ-2AF4262-D3



## Key features

- 1/3" Sony CCD
- 650TVL horizontal resolution
- 12X optical zoom, 16X digital zoom
- True Day/Night, 3D DNR, D WDR
- 3D intelligent positioning
- Alarm input & output

## Dimensions



Camera	
Image sensor	1/3" CCD
Effective pixel	PAL: 976(H)×582(V)
Horizontal resolution	Color: 650 TVL / B/W: 700 TVL
Min. Illumination	Color: 0.1Lux/ (F1.6 AGC ON) ; B/W: 0.01Lux/(F1.6 AGC ON)
White balance	Auto/ATW/Indoor/Outdoor/One push
AGC	Auto / Manual
S / N ratio	≥ 50dB
Digital noise reduction	3D DNT
Backlight compensation	BLC
Wide dynamic range	Digital WDR
Shutter speed	PAL: 1/50 ~ 1/10,000s
Day & Night	IR Cut Filter
Digital zoom	16X
Privacy mask	8 privacy masks programmable, optional multiple colors and mosaics
Focus model	Auto / Semiautomatic / Manual
Lens	
Focal length	3.8 ~ 45.6mm,12X
Zoom speed	Approx. 2s (Optical Wide-Tele)
Angle of view	50.69 ~ 4.5degree (Wide-Tele)
Min. working distance	10 ~ 1500mm (Wide-Tele)
Aperture range	F1.6 ~ F2.7
Pan and Tilt	
Pan / Tilt Range	Pan range: 360° endless; Tilt range: -2°-90°(Auto Flip)
Pan / Tilt Speed	Pan Manual Speed: 0.1° -200°/s, Pan Preset Speed: 200°/s Tilt Manual Speed: 0.1°-120°/s, Tilt Preset Speed: 120°/s
Proportional Zoom	Rotation speed can be adjusted automatically according to zoom multiples
Number of Preset	256
Patrol	8 patrols, up to 32 presets per patrol
Pattern	4 patterns, with the total recording time not less than 10 minutes
Power-off Memory	Support
Park Action	Preset / Patrol / Pattern / Pan scan / Tilt scan / Random scan / Frame scan / Panorama scan
PTZ Position Display	Support
Zone Scanning/Display	Scanning within programmed zone, display zone title
Camera Title	Programmable title display
Compass	Support , the north can be set
Scheduled Task	Preset / Patrol / Pattern / Pan scan / Tilt scan / Random scan / Frame scan / Panorama scan
RS-485 communication diagnosis	Including failure information, e.g., wrong address, baud rate errors, et., displayed on the video screen in text
Manchester code communication diagnosis	Including failure information, e.g., wrong address, baud rate errors s displayed on the video screen in special characters
Alarm input/output	
Alarm input	2
Alarm output	1 relay outputs, alarm response actions configurable
Alarm action	Preset / Patrol / Pattern / Pan scan / Tilt scan / Random scan / Frame scan / Panorama scan / Relay output
Local output	
Video output	1.0V[p-p] / 75Ω, NTSC (or PAL) composite, BNC
General	
RS-485 Protocols	HIKVISION, Pelco-P, Pelco-D, self-adaptive
Power	12V DC, max 12W
Working Temperature	-10°C ~ 50°C (14°F ~ 122°F) (indoor dome),
Humidity	90% or less
Protection Level	TVS 4,000V lightning protection, surge protection and voltage transient protection
Dimension	Φ165×172.5mm(Φ6.50"×6.79") (Indoor) Φ165×167mm(Φ6.50"×6.57") (In-ceiling)
Weight	Approx. 2Kg (4.41lbs)