

# Speed dôme analogique intérieur, zoom x23, 540/600TVL

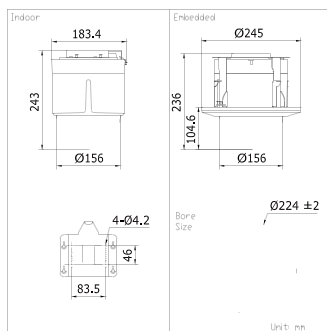
Réf. : VZ-2AE5154-A3



## Key features

- 1/4" Sony CCD
- 540TVL horizontal resolution
- 36X / 23X optical zoom, 16X digital zoom
- True Day/Night, Digital WDR
- 3D intelligent positioning

## Dimensions



Camera	
Image Sensor	1/4" Sony CCD
Effective Pixel	PAL:752(H)×582(V).
Horizontal Resolution	Color: 540 TVL, B/W: 600 TVL
Min.Illumination	Color: 0.1Lux@( F1.6,AGC on), B/W: 0.01Lux@( F1.6,AGC on)
White Balance	Auto / Manual / ATW / Indoor / Outdoor
AGC	Auto / Manual
S / N Ratio	≥ 50dB
Shutter Speed	PAL: 1 ~1/10,000s
Digital Noise Reduction	3D DNR
Wide Dynamic Range	Digital WDR
Day & Night	IR Cut Filter
Digital Zoom	16X
Privacy Masking	8 privacy masks programmable, optional multiple colors and mosaics
Focus Model	Auto / Semiautomatic / Manual
Lens	
Focal Length	3.84 ~88.32mm, 23X
Zoom Speed	Approx 3.0s(Optical Wide-Tele)
Angle of View	50.2 ~2.44degree(Wide-Tele))
Min. Working Distance	10 ~1500mm (Wide-Tele)
Aperture	F1.6
Pan and Tilt	
Pan and Tilt Range	Pan: 360° endless; Tilt: -5°~90° (Auto Flip )
Pan and Tilt Speed	Pan Manual Speed: 0.1°~250°/s, Pan Preset Speed: 300°/s Tilt Manual Speed: 0.1°~150°/s, Tilt Preset Speed: 200°/s
Proportional Zoom	Rotation speed can be adjusted automatically according to zoom multiples
Number of Preset	255
Patrol	8 patrols, up to 32 presets per patrol
Pattern	4 patterns, with the total recording time not less than 10 minutes
Power-off Memory	Support
Park Action	Preset / Patrol / Pattern / Pan scan / Tilt scan / Frame Scan / Random scan / Panorama scan
PTZ Position Display	Support
Compass	Support , the north can be set
Scheduled Task	Preset / Patrol / Pattern / Pan scan / Tilt scan / Frame Scan / Random scan / Panorama scan / Day / Night
Input/ Output	
Video Output	1.0 V[p-p] / 75Ω, PAL / NTSC composite, BNC
General	
RS-485 Protocols	HIKVISION, Pelco-P, Pelco-D, self-adaptive
Power	24 VAC, max.12W
Working Temperature	-10°C~50°C(14°F ~ 122°F)
Humidity	90% or less
Protection Level	TVS 4,000V lightning protection, surge protection and voltage transient protection IK10 (optional)
Dimensions	Φ183.4 × 243mm(Φ7.22" × 9.56") (Ceiling) Φ245 × 236mm(Φ9.65" × 9.29") (In-ceiling)
Weight	Approx. 5Kg (11.02lbs)